

Specifications

XRG 40/200/01



Technical data	
Setting range kV	5 kV to 40 kV
Maximum power	200 W
Setting range mA	0 mA to 10 mA
Interfaces	Ethernet, M12

High Voltage	
Absolute accuracy	$\pm 0,5$ %
Reproducibility	$\pm 0,1$ %
High voltage stability	5 V/mA, minimal 20 V
Temperature drift	< 50 ppm/°C
High voltage receptacle	CA11

Emission current	
Absolute accuracy	± 1 %
Reproducibility	± 0.1 %
Emission current stability	± 0.1 %
Temperature drift	< 50 ppm/°C
Focus	large

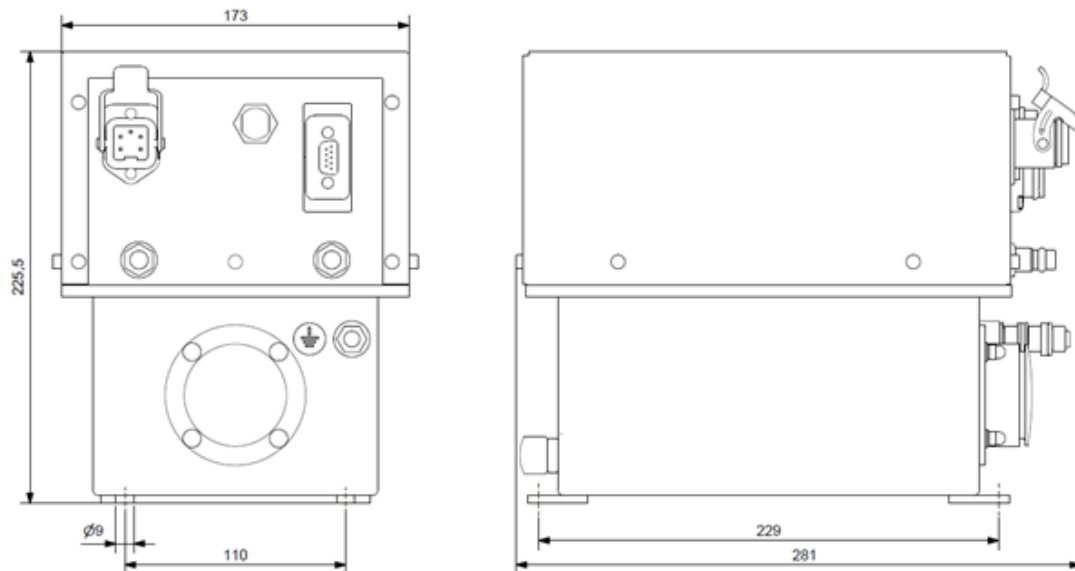
Mains connections	
High voltage generation	90 V AC to 250 V AC, 4 A, single-phase, 50 / 60 Hz
Auxiliary power	90 V AC to 250 V AC, 2 A, single-phase, 50 / 60 Hz

Cable length	
High voltage cable	max. 20 m

Cooling	
Connection	quick connect coupling, nominal width 7.2
Cooling media	all cooling media approved by IMS, on request
Cooling medium temperature	minimum 25 °C (avoid condensate – cooling medium temperature may not be too far below ambient temperature) maximum +40 °C

Ambient conditions	
Operation	0 °C to +50 °C, max. 80 % rel. humidity, non-condensing
Storage	0 °C to +60 °C, max. 90 % rel. humidity, non-condensing
Protection class	IP30

Dimensions and weight	
length x width x height	281 x 173 x 225,5 mm
Weight	10,5 kg
Installation position	no specifications



Document information	
Title	Specifications XRG 40/200/01
Type	Data sheet
Author	Holger Sauerzapf
Release	25.10.2022

Manufacturer

IMS Röntgensysteme GmbH

Dieselstraße 52
42579 Heiligenhaus

Tel.: +49 (0) 2056 / 975-600
Fax: +49 (0) 2056 / 975-601

E-Mail: info@ims-roentgensysteme.de
www.ims-roentgensysteme.de

© IMS Röntgensysteme GmbH. All rights reserved. This documentation is protected in all parts by copyright laws. Distribution and reproduction without the prior written authorization of IMS Röntgensysteme GmbH are prohibited. All company and product names used in this documentation may be registered trademarks.