

Specifications

XRG 160/320/02



Technical data	
Setting range kV	5 kV to 160 kV
Maximum power	320 W
Setting range mA	0 mA to 3 mA
Interfaces	Ethernet
Polarity of output voltage	negative

High Voltage	
Absolute accuracy	± 1 %
Reproducibility	$\pm 0,2$ %
High voltage stability	5 V/mA, min. 20 V
Temperature drift	< 50 ppm/°C
High voltage receptacle	R24

Emission current	
Absolute accuracy	± 1 %
Reproducibility	± 0.2 %
Emission current stability	± 0.2 %
Temperature drift	< 50 ppm/°C
Focus	large

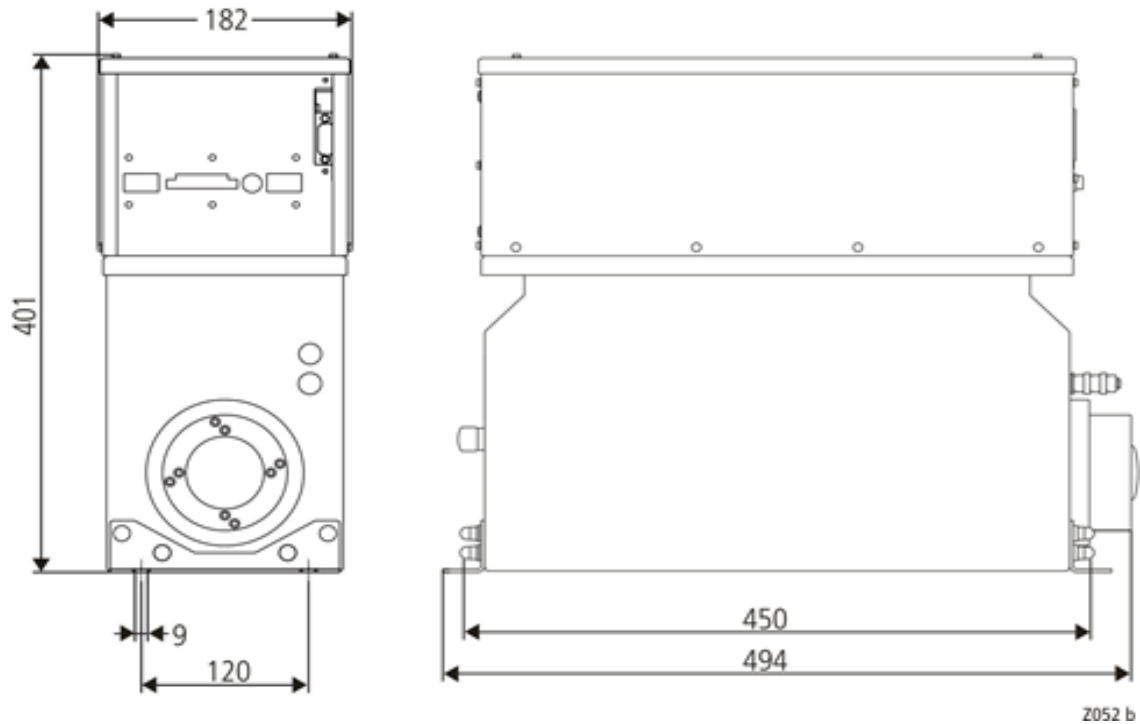
Mains connections	
High voltage generation	90 V AC to 250 V AC, 4 A, single-phase, 50 / 60 Hz
Auxiliary power	90 V AC to 250 V AC, 0,5 A, single-phase, 50 / 60 Hz

Cable length	
High voltage cable	max. 12 m

Cooling	
Type / cooling medium	internal cooling fan / air

Ambient conditions	
Operation	0 °C to +40 °C, max. 80 % rel. humidity, non-condensing
Storage	0 °C to +60 °C, max. 90 % rel. humidity, non-condensing
Protection class	IP20

Dimensions and weight	
length x width x height	494 x 182 x 401 mm
Weight	34 kg
Installation position	no specifications



Document information	
Title	Specifications XRG 160/320/02
Type	Data sheet
Author	Holger Sauerzapf
Release	24.10.2022

Manufacturer

IMS Röntgensysteme GmbH

Dieselstraße 52
42579 Heiligenhaus

Tel.: +49 (0) 2056 / 975-600
Fax: +49 (0) 2056 / 975-601

E-Mail: info@ims-roentgensysteme.de
www.ims-roentgensysteme.de

© IMS Röntgensysteme GmbH. All rights reserved. This documentation is protected in all parts by copyright laws. Distribution and reproduction without the prior written authorization of IMS Röntgensysteme GmbH are prohibited. All company and product names used in this documentation may be registered trademarks.

