

Specifications

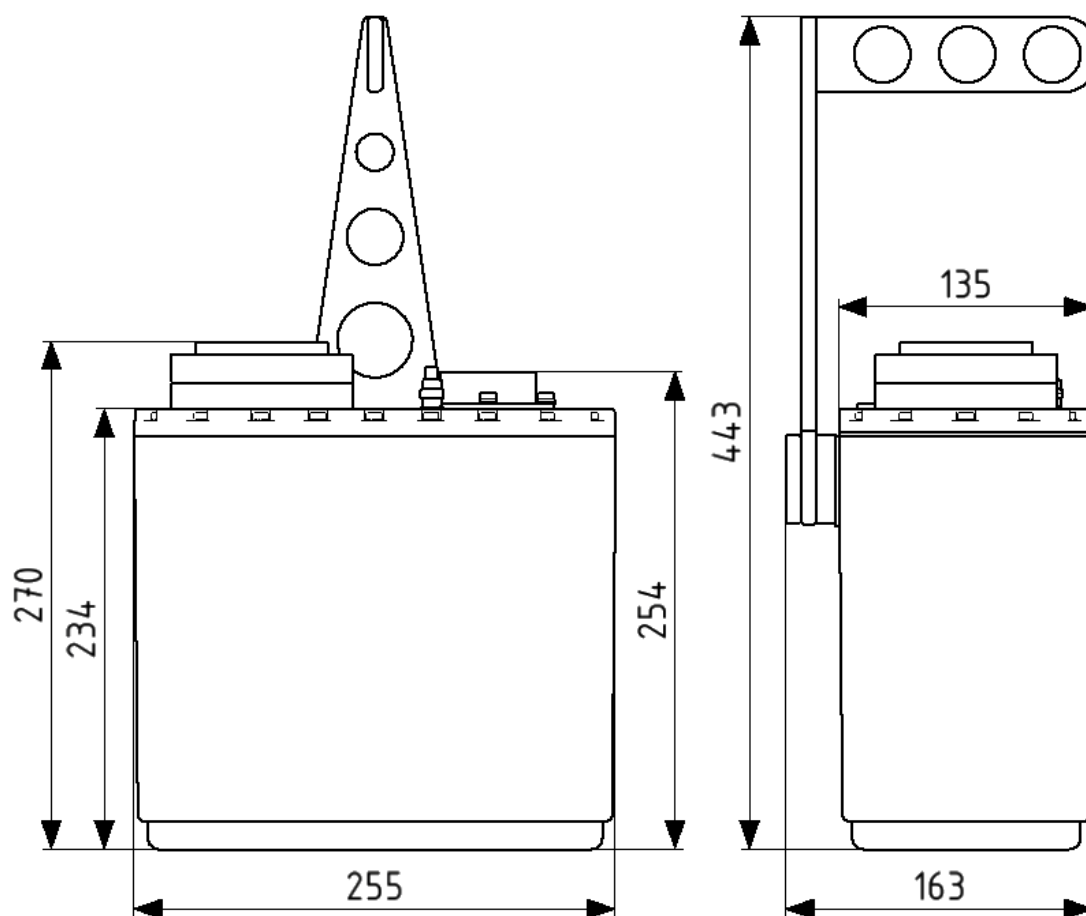
HVA 75 CA11-R10



Technical data	
Application range	0 kV bis 75 kV
High voltage receptacle X1	CA11
High voltage receptacle X2	R10

Ambient conditions	
Operation	0 °C to +40 °C, max. 80 % rel. humidity, non-condensing
Storage	0 °C to +60 °C, max. 90 % rel. humidity, non-condensing

Dimensions and weight	
length x width x height	255 x 163 x 443 mm
Weight	11 kg
Installation position	no specifications



Document information

Title	Specifications HVA 75 CA11-R10
Type	Data sheet
Author	Holger Sauerzapf
Release	24.10.2022

Manufacturer

IMS Röntgensysteme GmbH

Dieselstraße 52
42579 Heiligenhaus

Tel.: +49 (0) 2056 / 975-600
Fax: +49 (0) 2056 / 975-601

E-Mail: info@ims-roentgensysteme.de
www.ims-roentgensysteme.de

© IMS Röntgensysteme GmbH. All rights reserved. This documentation is protected in all parts by copyright laws. Distribution and reproduction without the prior written authorization of IMS Röntgensysteme GmbH are prohibited. All company and product names used in this documentation may be registered trademarks.

Specifications

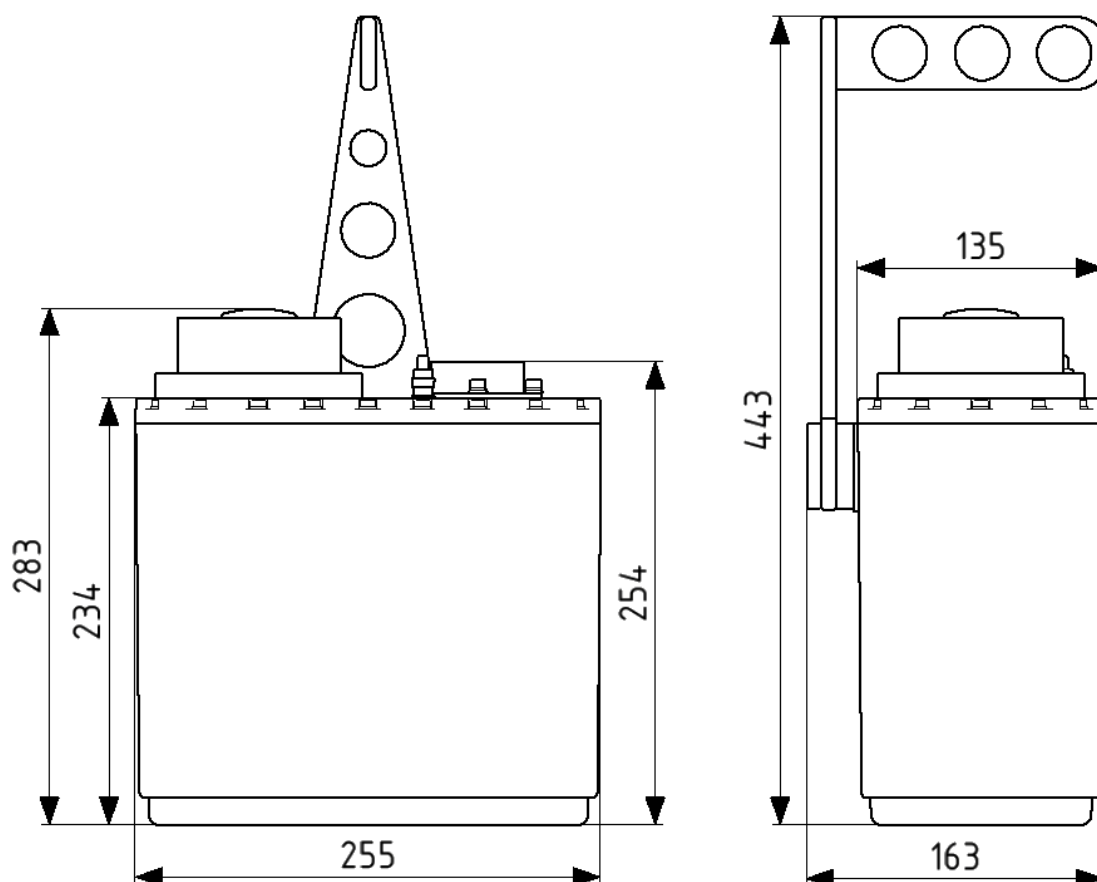
HVA 75 CA11-R24



Technical data	
Application range	0 kV bis 75 kV
High voltage receptacle X1	CA11
High voltage receptacle X2	R24

Ambient conditions	
Operation	0 °C to +40 °C, max. 80 % rel. humidity, non-condensing
Storage	0 °C to +60 °C, max. 90 % rel. humidity, non-condensing

Dimensions and weight	
length x width x height	255 x 163 x 443 mm
Weight	11 kg
Installation position	no specifications



Document information

Title	Specifications HVA 75 CA11-R24
Type	Data sheet
Author	Holger Sauerzapf
Release	24.10.2022

Manufacturer

IMS Röntgensysteme GmbH

Dieselstraße 52
42579 Heiligenhaus

Tel.: +49 (0) 2056 / 975-600
Fax: +49 (0) 2056 / 975-601

E-Mail: info@ims-roentgensysteme.de
www.ims-roentgensysteme.de

© IMS Röntgensysteme GmbH. All rights reserved. This documentation is protected in all parts by copyright laws. Distribution and reproduction without the prior written authorization of IMS Röntgensysteme GmbH are prohibited. All company and product names used in this documentation may be registered trademarks.

Specifications

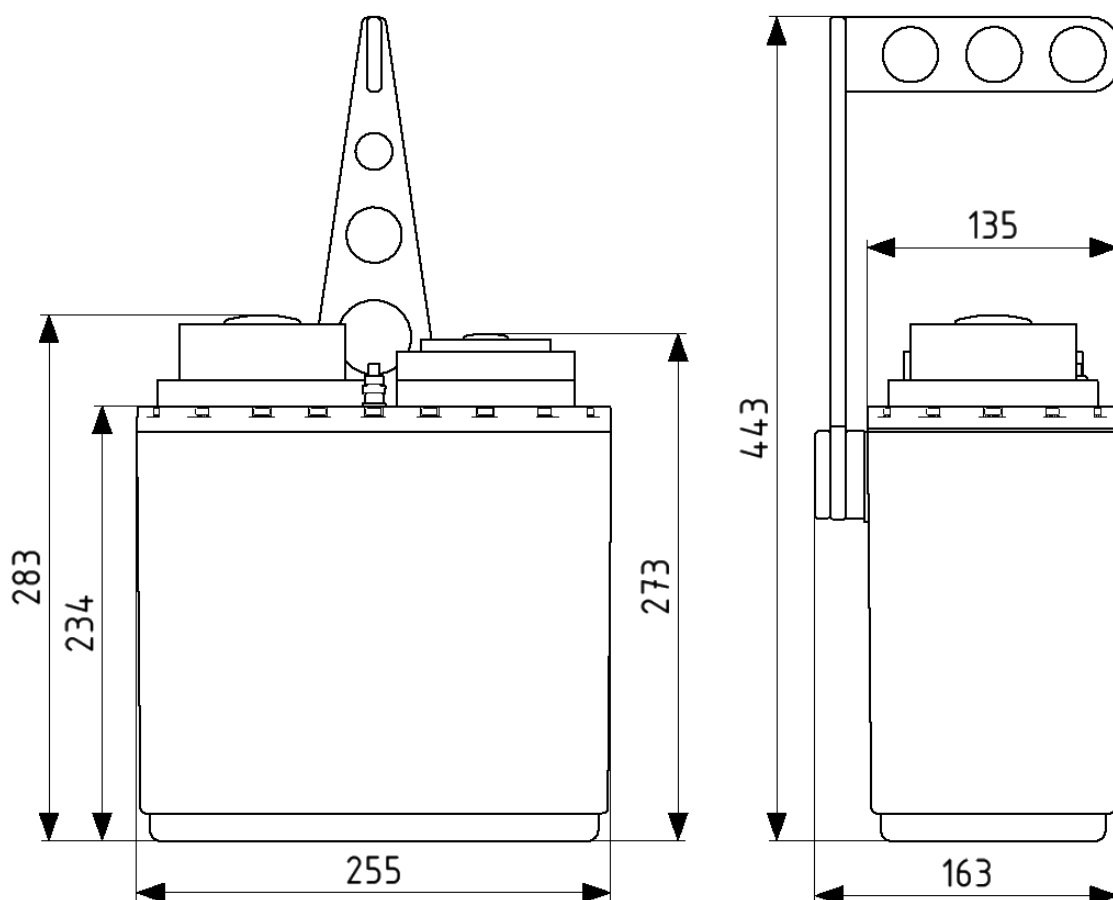
HVA 100-R10/R24



Technical data	
Application range	0 kV bis 100 kV
High voltage receptacle X1	R10
High voltage receptacle X2	R24

Ambient conditions	
Operation	0 °C to +40 °C, max. 80 % rel. humidity, non-condensing
Storage	0 °C to +60 °C, max. 90 % rel. humidity, non-condensing

Dimensions and weight	
length x width x height	255 x 163 x 443 mm
Weight	11 kg
Installation position	no specifications



Document information

Title	Specifications HVA 100-R10/R24
Type	Data sheet
Author	Holger Sauerzapf
Release	24.10.2022

Manufacturer

IMS Röntgensysteme GmbH

Dieselstraße 52
42579 Heiligenhaus

Tel.: +49 (0) 2056 / 975-600
Fax: +49 (0) 2056 / 975-601

E-Mail: info@ims-roentgensysteme.de
www.ims-roentgensysteme.de

© IMS Röntgensysteme GmbH. All rights reserved. This documentation is protected in all parts by copyright laws. Distribution and reproduction without the prior written authorization of IMS Röntgensysteme GmbH are prohibited. All company and product names used in this documentation may be registered trademarks.

Specifications

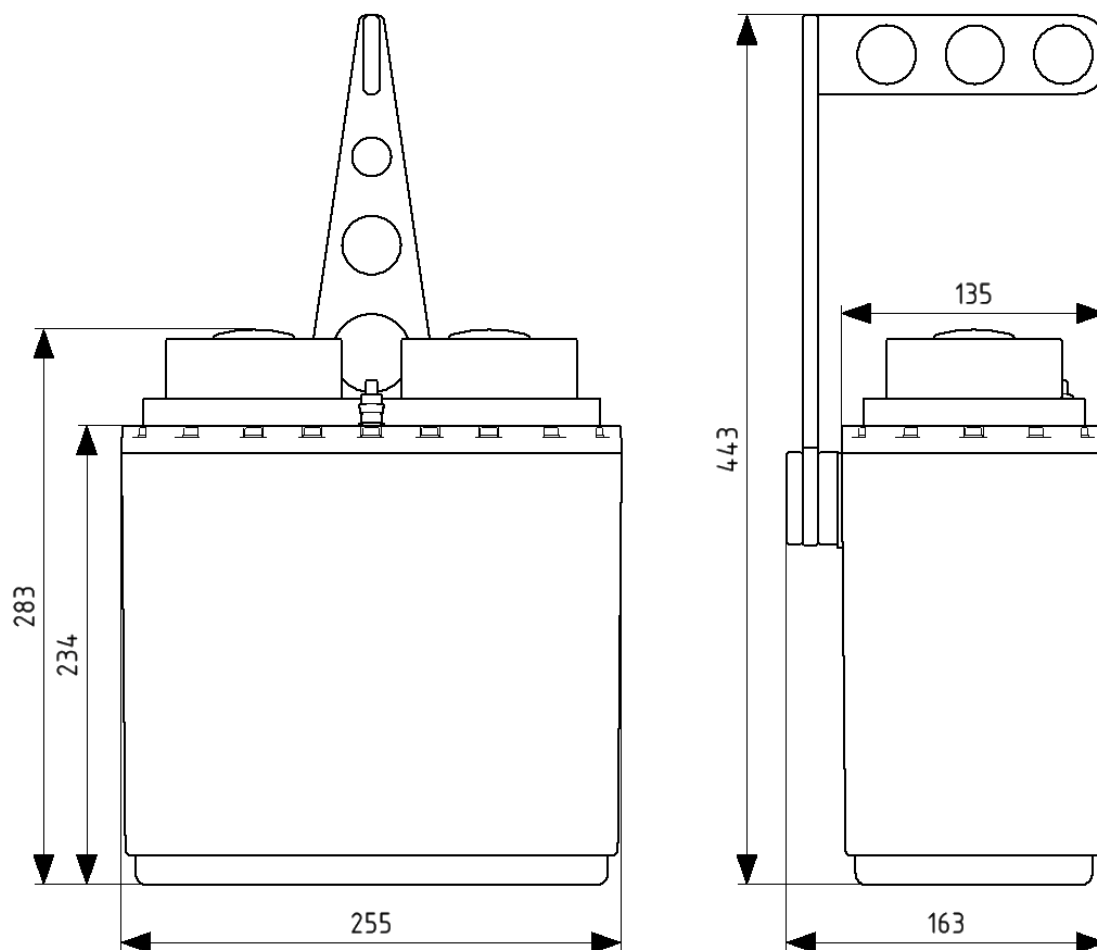
HVA 160-R24/R24



Technical data	
Application range	0 kV bis 160 kV
High voltage receptacle X1	R24
High voltage receptacle X2	R24

Ambient conditions	
Operation	0 °C to +40 °C, max. 80 % rel. humidity, non-condensing
Storage	0 °C to +60 °C, max. 90 % rel. humidity, non-condensing

Dimensions and weight	
length x width x height	255 x 163 x 443 mm
Weight	11 kg
Installation position	no specifications



Document information

Title	Specifications HVA 160-R24/R24
Type	Data sheet
Author	Holger Sauerzapf
Release	24.10.2022

Manufacturer

IMS Röntgensysteme GmbH

Dieselstraße 52
42579 Heiligenhaus

Tel.: +49 (0) 2056 / 975-600
Fax: +49 (0) 2056 / 975-601

E-Mail: info@ims-roentgensysteme.de
www.ims-roentgensysteme.de

© IMS Röntgensysteme GmbH. All rights reserved. This documentation is protected in all parts by copyright laws. Distribution and reproduction without the prior written authorization of IMS Röntgensysteme GmbH are prohibited. All company and product names used in this documentation may be registered trademarks.

Specifications

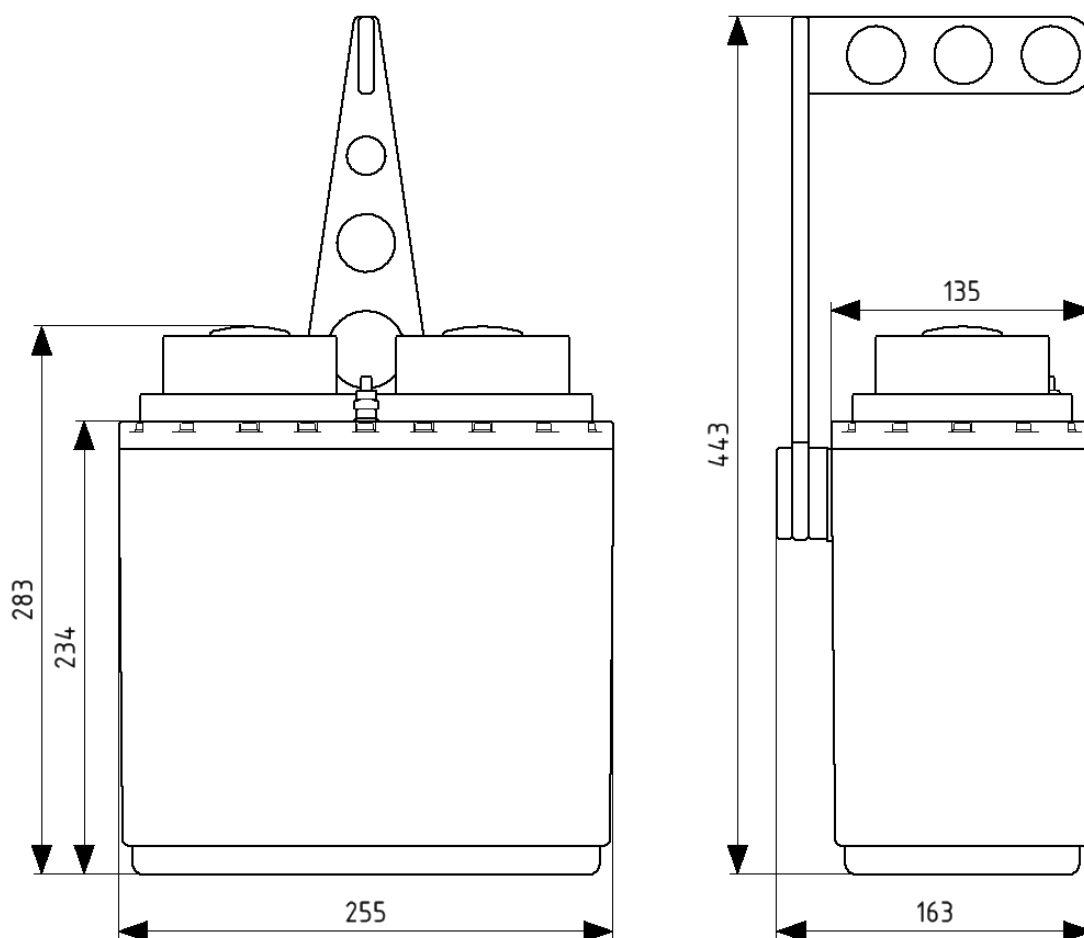
HVA 160-R24/R28



Technical data	
Application range	0 kV bis 160 kV
High voltage receptacle X1	R24
High voltage receptacle X2	R28

Ambient conditions	
Operation	0 °C to +40 °C, max. 80 % rel. humidity, non-condensing
Storage	0 °C to +60 °C, max. 90 % rel. humidity, non-condensing

Dimensions and weight	
length x width x height	255 x 163 x 443 mm
Weight	11 kg
Installation position	no specifications



Document information

Title	Specifications HVA 160-R24/R28
Type	Data sheet
Author	Holger Sauerzapf
Release	24.10.2022

Manufacturer

IMS Röntgensysteme GmbH

Dieselstraße 52
42579 Heiligenhaus

Tel.: +49 (0) 2056 / 975-600
Fax: +49 (0) 2056 / 975-601

E-Mail: info@ims-roentgensysteme.de
www.ims-roentgensysteme.de

© IMS Röntgensysteme GmbH. All rights reserved. This documentation is protected in all parts by copyright laws. Distribution and reproduction without the prior written authorization of IMS Röntgensysteme GmbH are prohibited. All company and product names used in this documentation may be registered trademarks.

Specifications

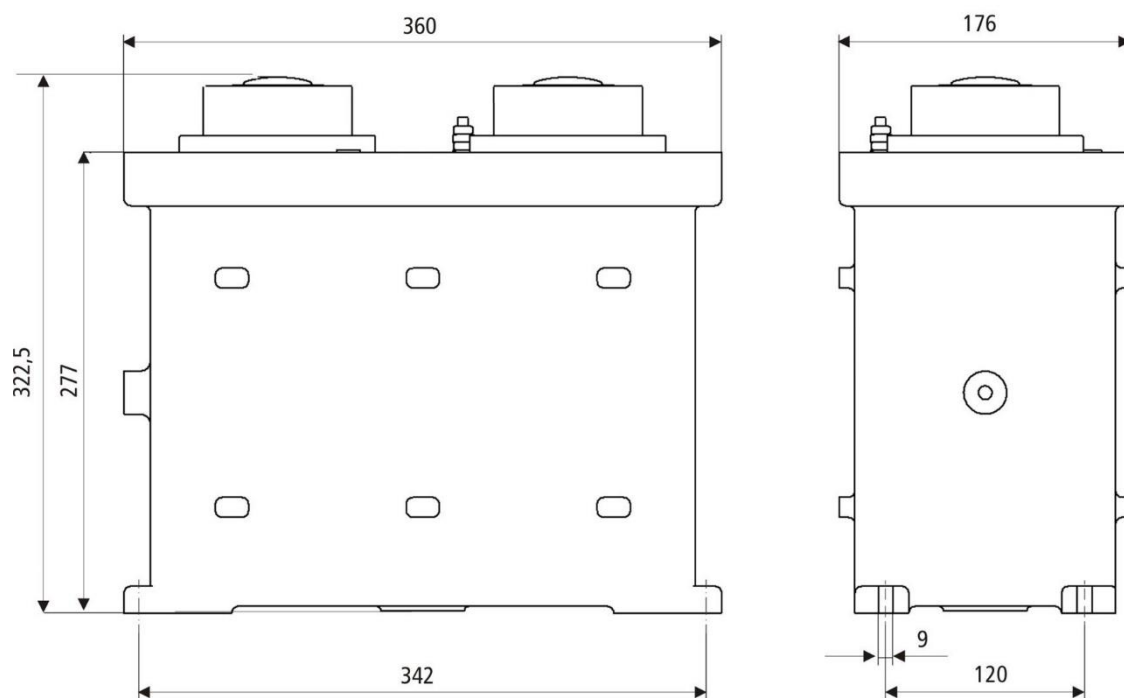
HVA 225-R28/R28



Technical data	
Application range	0 kV bis 225 kV
High voltage receptacle X1	R28
High voltage receptacle X2	R28

Ambient conditions	
Operation	0 °C to +40 °C, max. 80 % rel. humidity, non-condensing
Storage	0 °C to +60 °C, max. 90 % rel. humidity, non-condensing

Dimensions and weight	
length x width x height	360 x 176 x 322,5 mm
Weight	23 kg
Installation position	no specifications



Document information

Title	Specifications HVA 225-R28/R28
Type	Data sheet
Author	Holger Sauerzapf
Release	24.10.2022

Manufacturer

IMS Röntgensysteme GmbH

Dieselstraße 52
42579 Heiligenhaus

Tel.: +49 (0) 2056 / 975-600
Fax: +49 (0) 2056 / 975-601

E-Mail: info@ims-roentgensysteme.de
www.ims-roentgensysteme.de

© IMS Röntgensysteme GmbH. All rights reserved. This documentation is protected in all parts by copyright laws. Distribution and reproduction without the prior written authorization of IMS Röntgensysteme GmbH are prohibited. All company and product names used in this documentation may be registered trademarks.